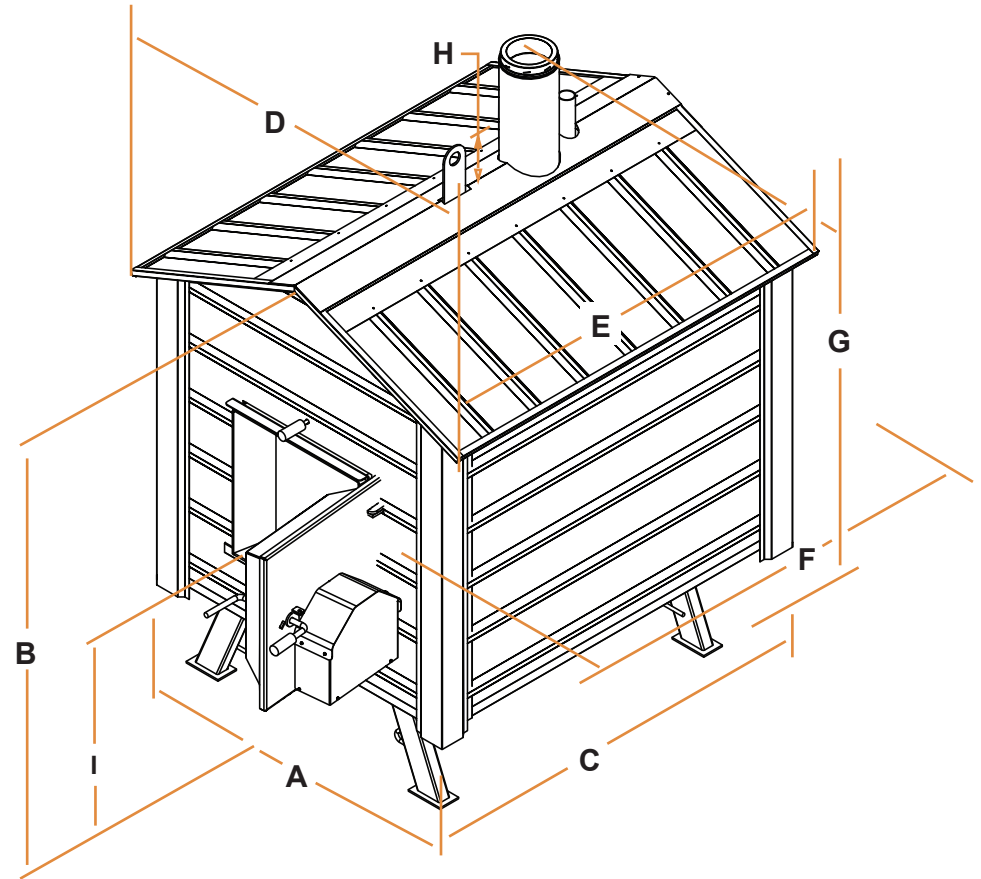
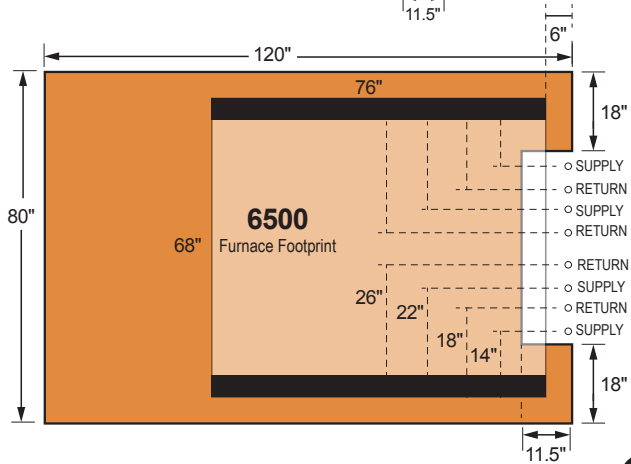
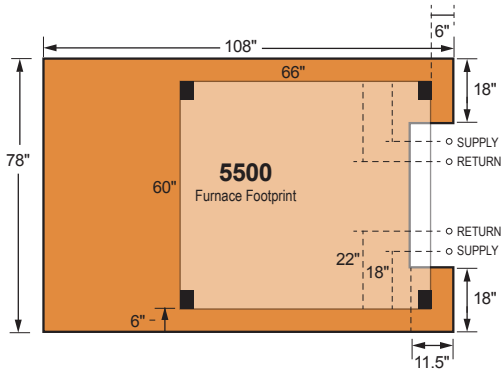
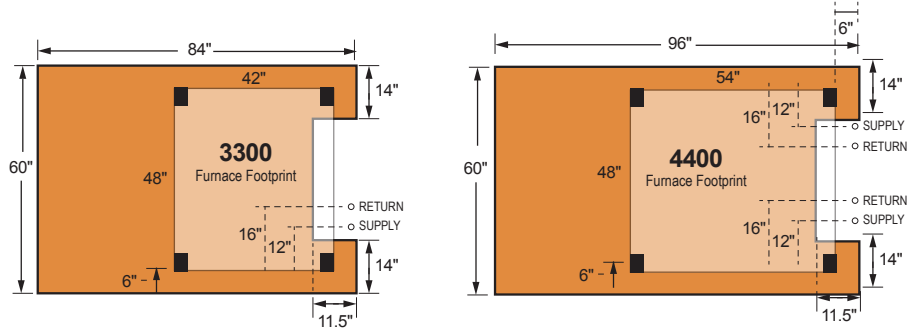


# Traditional Models Base and Dimensions



**CAUTION**  
Do not use any combustible materials for the foundation.

Outdoor furnace must be installed on a noncombustible surface or foundation that incorporates an enclosure that will prevent supply and return lines from possible exposure to sunlight, fire, or physical damage that may be caused by an occurrence outside the outdoor furnace enclosure. Foundation may consist of concrete, crushed rock, or patio blocks.

© 2021 WoodMaster

Traditional Model Measurements										
	A	B	C	D	E	F	G	H	I	Door Opening
<b>3300</b>	55"	75"	54"	61.5"	57"	56"	87"	5.5"	46"	20" x 21"
<b>4400</b>	54"	75.75"	66"	61.75"	68.5"	67.75"	91.75"	5.5"	50"	24" x 24"
<b>5500</b>	66"	90"	79"	72"	81.5"	82"	98"	5.5"	53"	27" x 27"
<b>6500</b>	78"	106"	92.5"	88"	96"	94.5"	118"	5.5"	63"	44" x 31"

Dimensions are approximate and should be used for reference only.

- Measurement (F) is from firebox door to rear edge of furnace.
- Measurement (G) includes chimney section.

