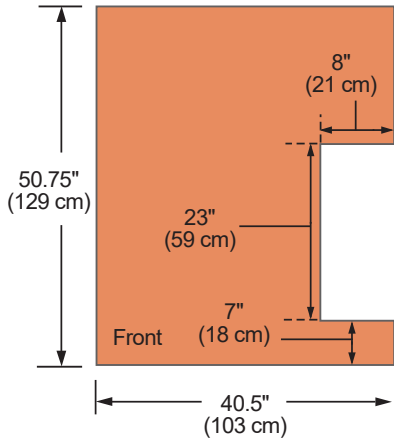
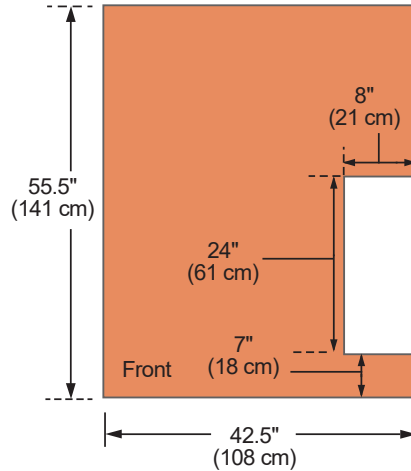


CleanFire Furnace Base and Dimensions

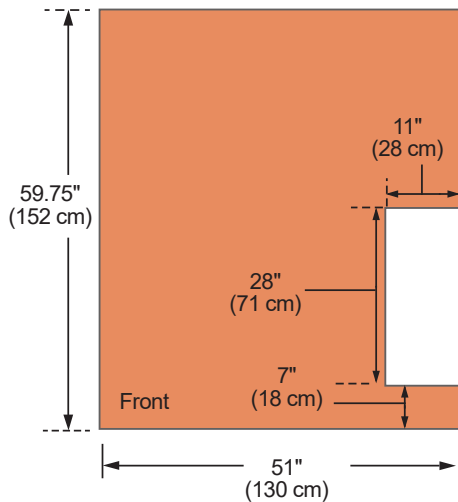
CleanFire 300
(Foundation Optional)



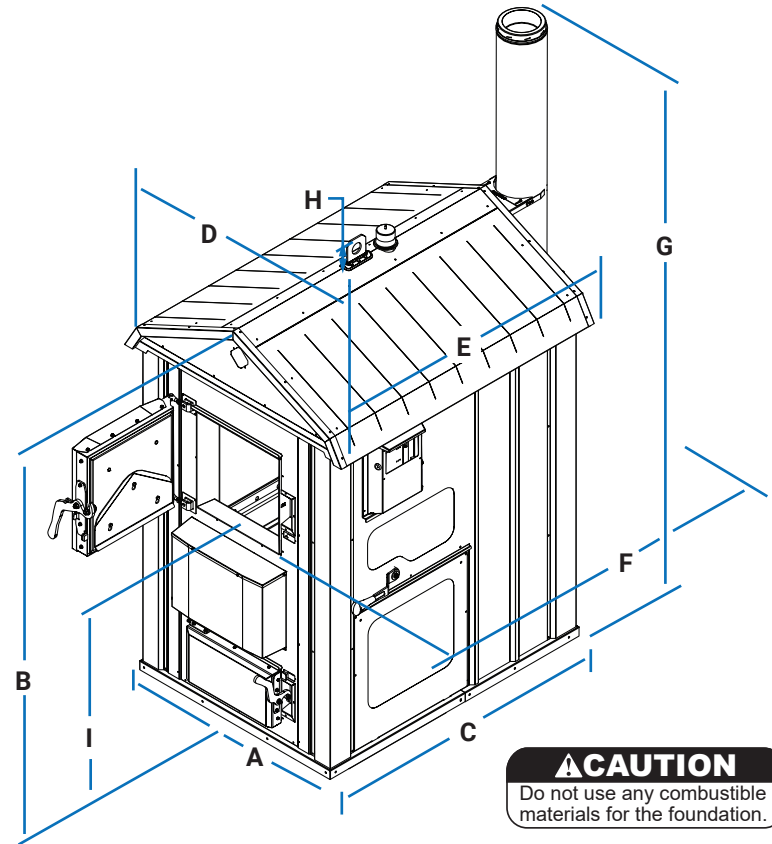
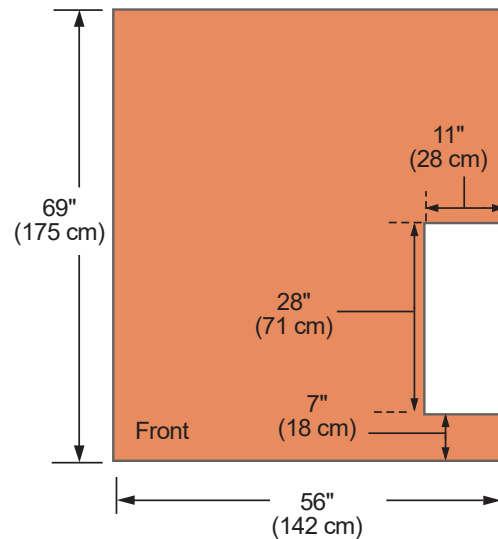
CleanFire 500
(Foundation Optional)



CleanFire 700
(Foundation Optional)



CleanFire 900
(Foundation Optional)



CAUTION
Do not use any combustible materials for the foundation.

| CleanFire Measurements | | | | | | | | | |
|------------------------|-------|--------|--------|-------|-------|-------|------|----|-------|
| | A | B | C | D | E | F | G | H | I |
| CleanFire 300 | 40.5" | 72" | 50.75" | 43" | 51.5" | 69" | 150" | 5" | 38" |
| CleanFire 500 | 42.5" | 76" | 55.5" | 45" | 56" | 73.5" | 151" | 5" | 37.5" |
| CleanFire 700 | 51" | 84.75" | 59.75" | 53.5" | 60.5" | 79" | 164" | 5" | 39" |
| CleanFire 900 | 56" | 87.5" | 69" | 58.5" | 70" | 89.5" | 163" | 5" | 39" |

- Measurement (F) is from firebox door to chimney inspection cover.
- Measurement (G) includes two 4 ft. chimney sections.

Outdoor furnace must be installed on a noncombustible surface or foundation that incorporates an enclosure that will prevent supply and return lines from possible exposure to sunlight, fire, or physical damage that may be caused by an occurrence outside the outdoor furnace enclosure. Foundation may consist of concrete, crushed rock, or patio blocks.